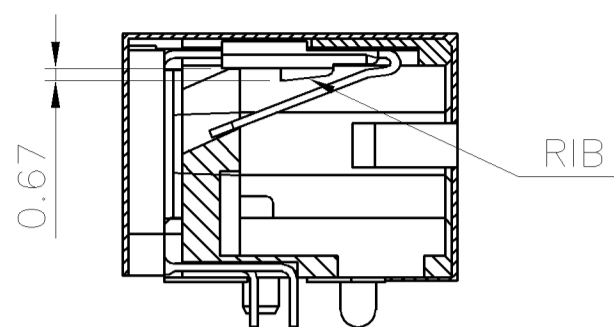
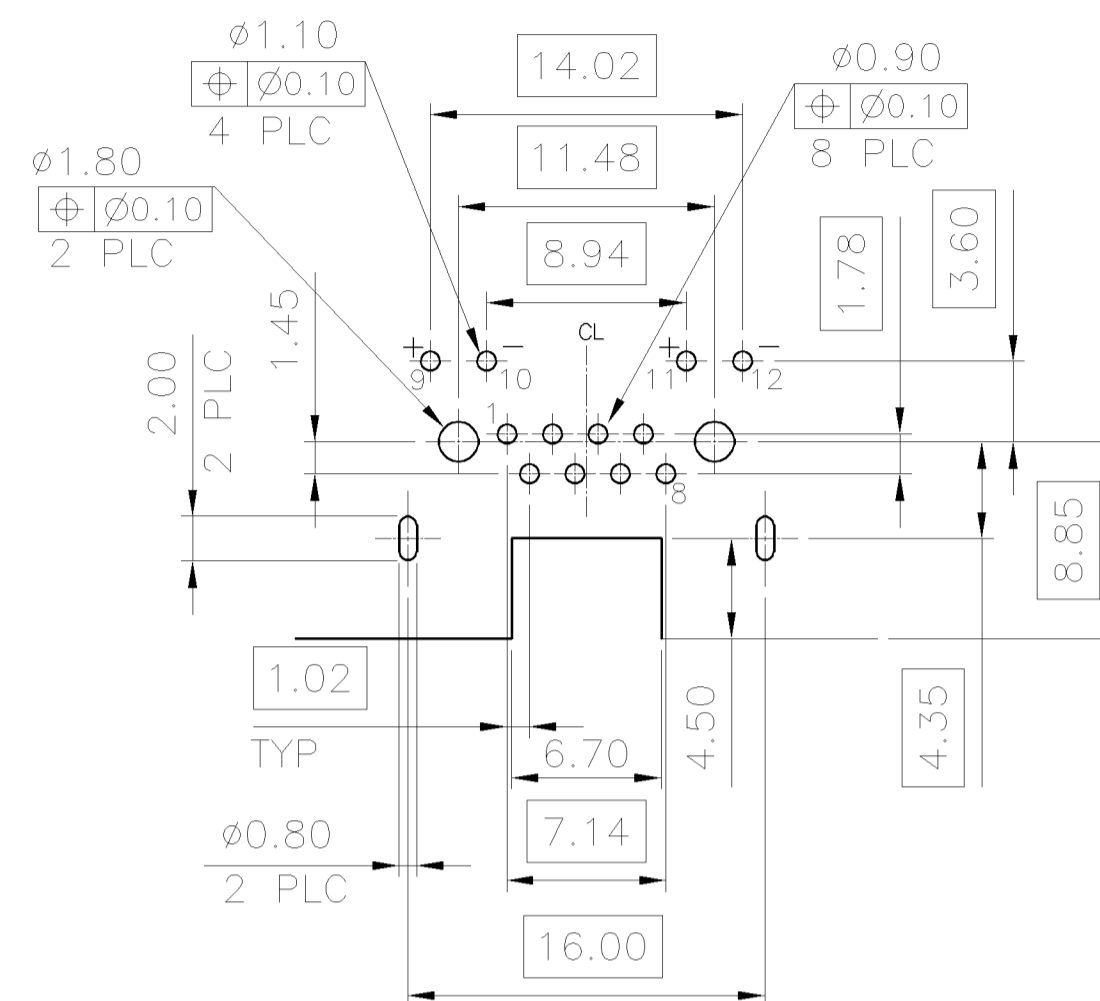
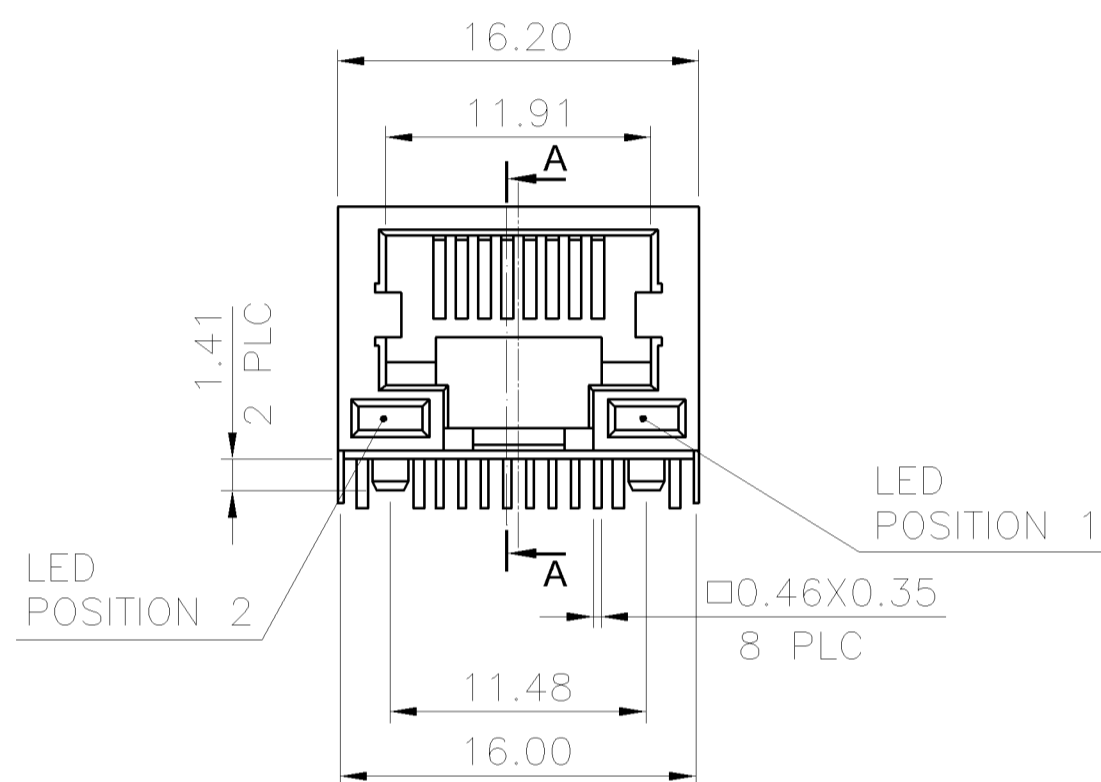
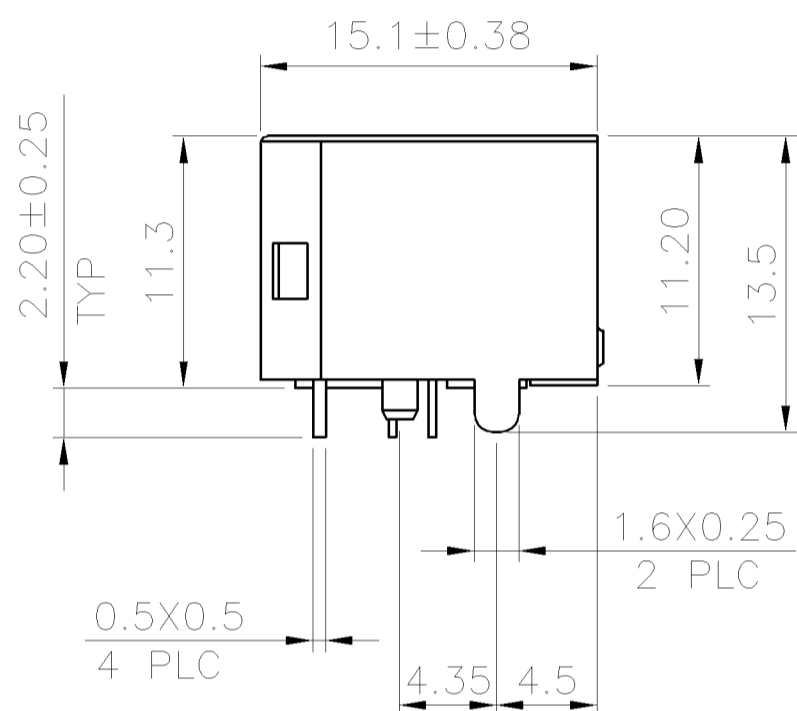
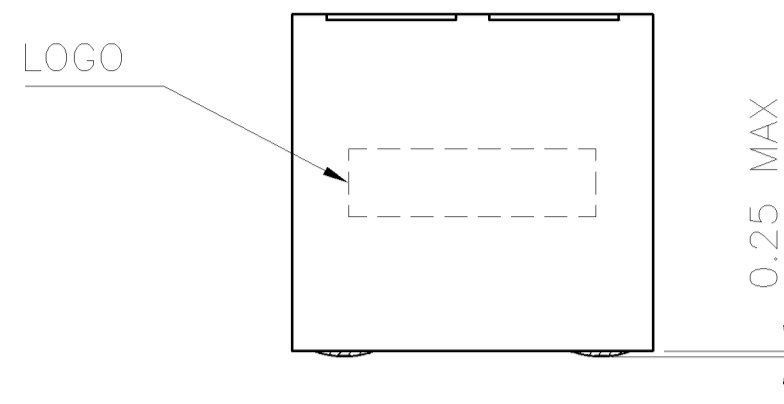


THIS DRAWING IS UNPUBLISHED. RELEASED FOR PUBLICATION
 © COPYRIGHT BY TYCO ELECTRONICS CORPORATION. ALL RIGHTS RESERVED.

LOC DW	DIST —	REVISIONS		
P	LTR	DESCRIPTION	DATE	DWN
	A	ECR-07-028576	14DEC07	AW
				WK



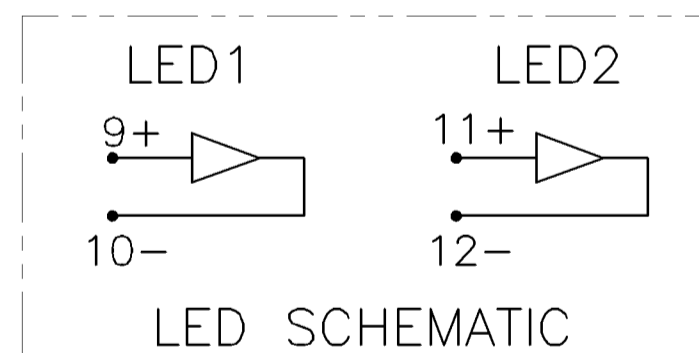
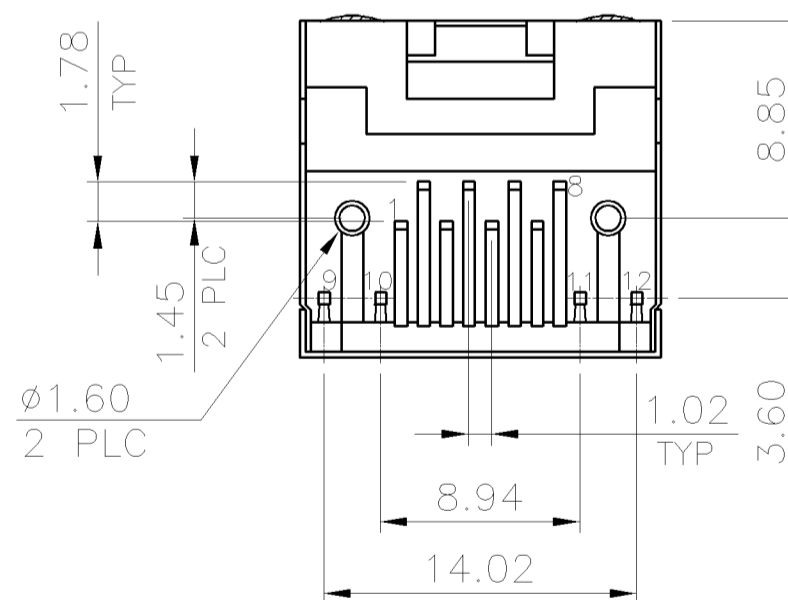
SECTION A-A



RECOMMENDED PCB LAYOUT (THICKNESS: 1.6mm)
 DIMENSION TOLERANCE: 1 PLC: ±0.1 2PLC: ±0.05

NOTE:

- MATERIAL:
 HOUSING: PA46 WITH 30% GF, UL 94V-0, BLACK COLOR.
 CONTACTS: PHOSPHOR BRONZE.
 LED LIGHT: EPOXY RESIN.
 SHELL: BRASS.
- FINISH:
 CONTACTS: (SEE TABLE) GOLD PLATED ON CONTACT AREA, GOLD FLASH ON SOLDER TAILS, WITH ENTIRE CONTACT UNDERPLATED 1.27µm [50µ"] MIN. NICKEL.
 LED: 1.65µm [65µ"] MIN. Ag PLATED.
 2.16µm [85µ"] MIN. TIN PLATED.
 FORWARD CURRENT: 20mA.
 FORWARD VOLTAGE: 2.2 VOLTS TYPICAL.
 SHELL: 0.50µm [20µ"] MIN. NICKEL PLATED.
- LED MUST BE REFLOW COMPATIBLE TO FOLLOWING TEMPERATURE PROFILE (FOR 1 CYCLE): ABOVE 160°C FOR 120 SECONDS, PEAKING AT 220°C FOR 10 SECONDS.
- LED DEFECT RATE IS 6000 PPM MAX. AFTER IR REFLOW PROCESS AS NOTE 3.
- WAVE SOLDER CAPABLE TO 265°C PER TE SPEC. 109-202, CONDITION B.

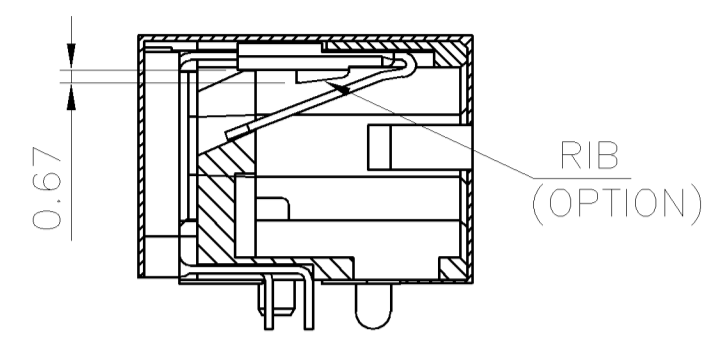


REEL	YELLOW	GREEN	50µ"	1-1734324-8
			30µ"	1-1734324-7
			15µ"	1-1734324-6
	GREEN	YELLOW	6µ"	1-1734324-5
			50µ"	1-1734324-4
			30µ"	1-1734324-3
TRAY	YELLOW	GREEN	15µ"	1-1734324-2
			6µ"	1-1734324-1
			50µ"	1734324-8
	GREEN	YELLOW	30µ"	1734324-7
			15µ"	1734324-6
			6µ"	1734324-5
PACKAGE	POSITION 2	POSITION 1	MIN. GOLD THICKNESS	PART NUMBER

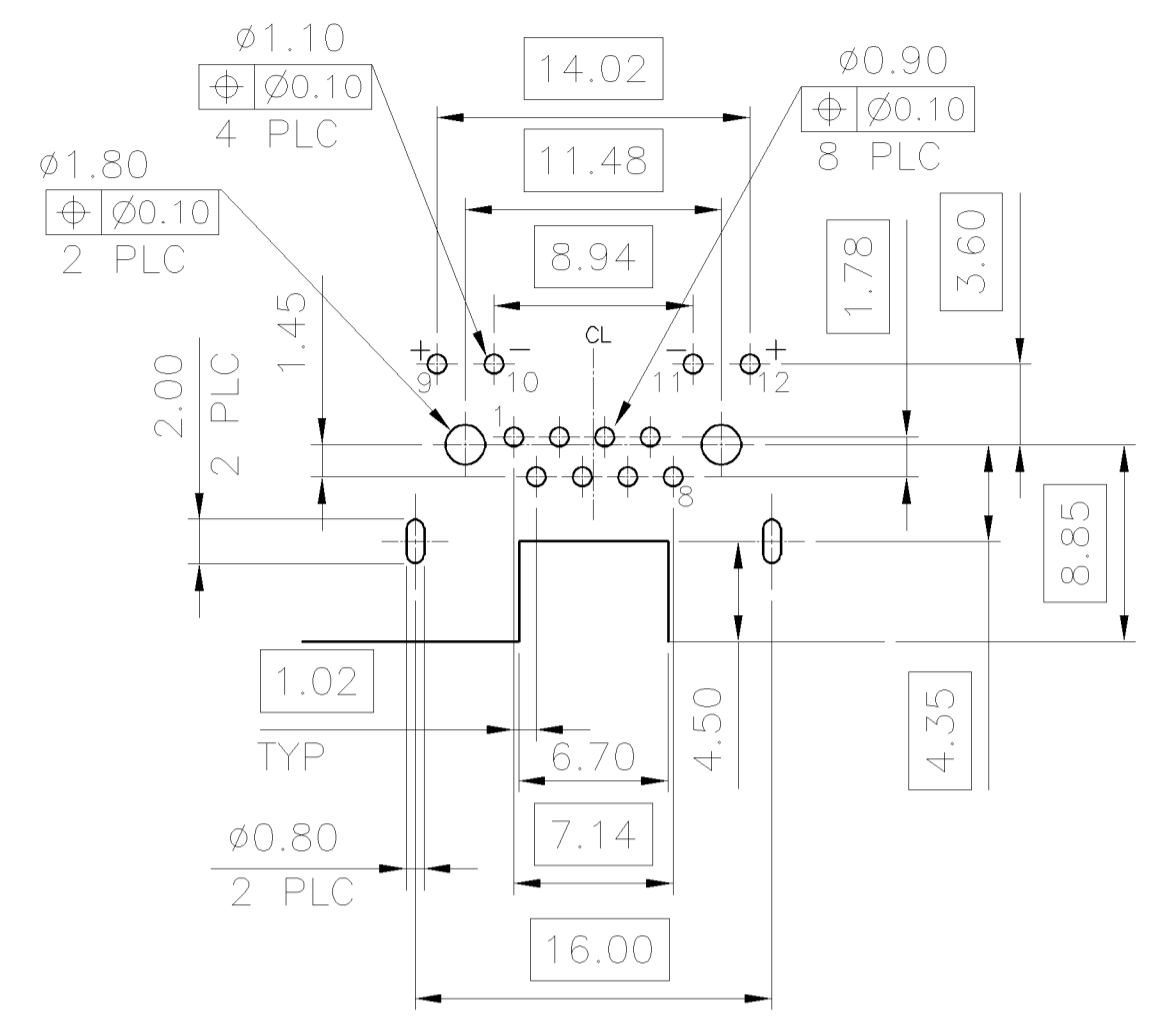
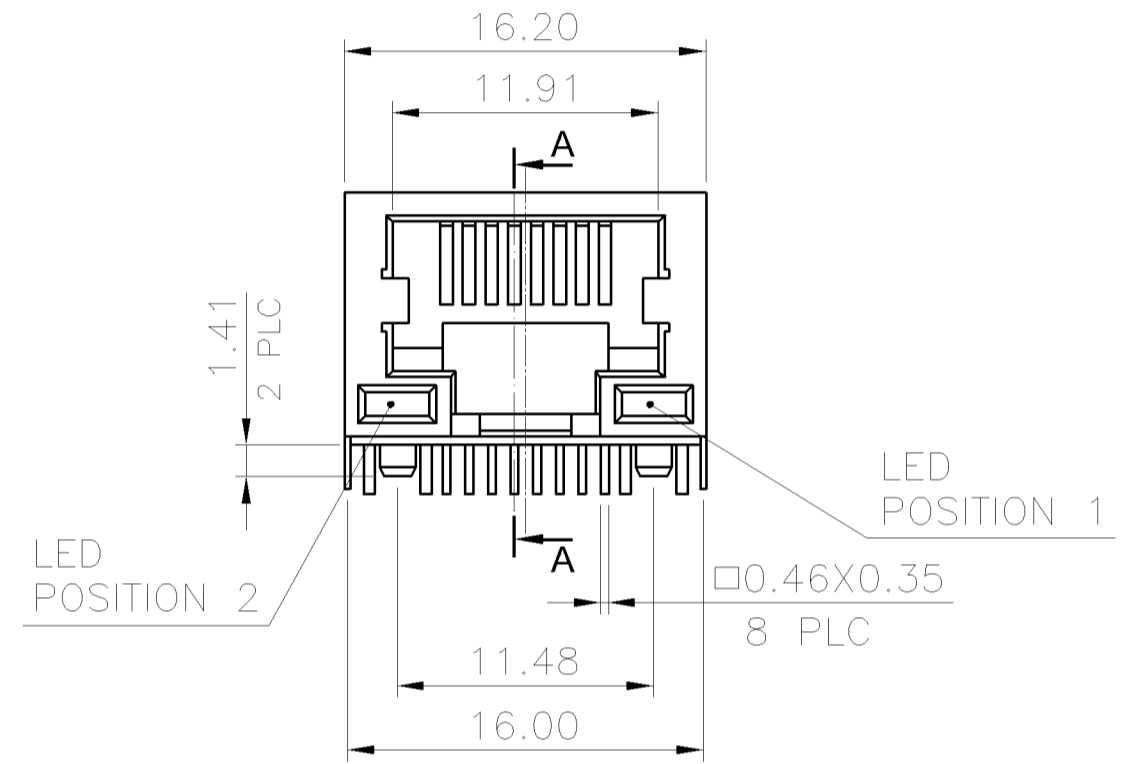
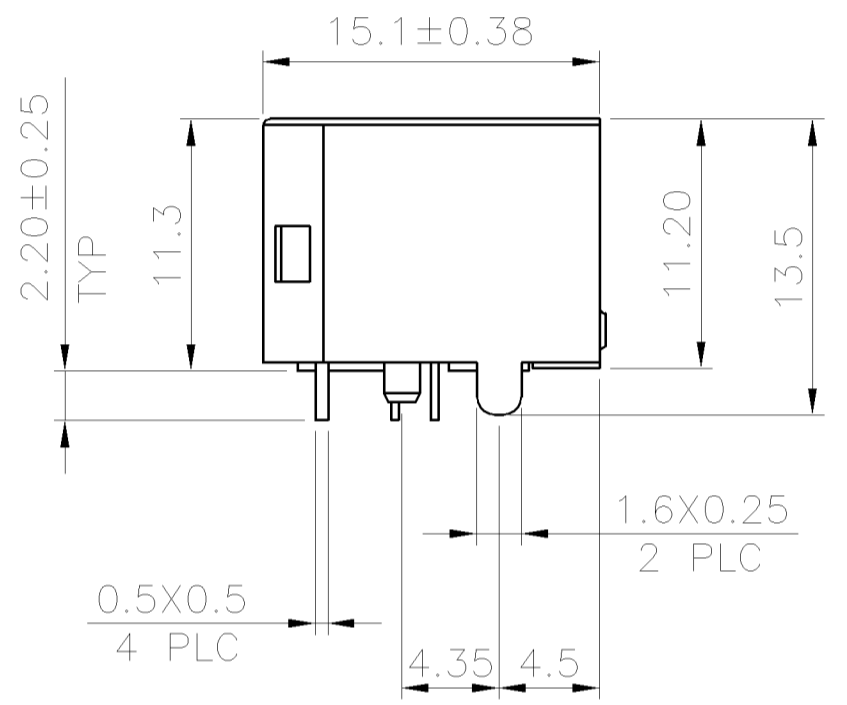
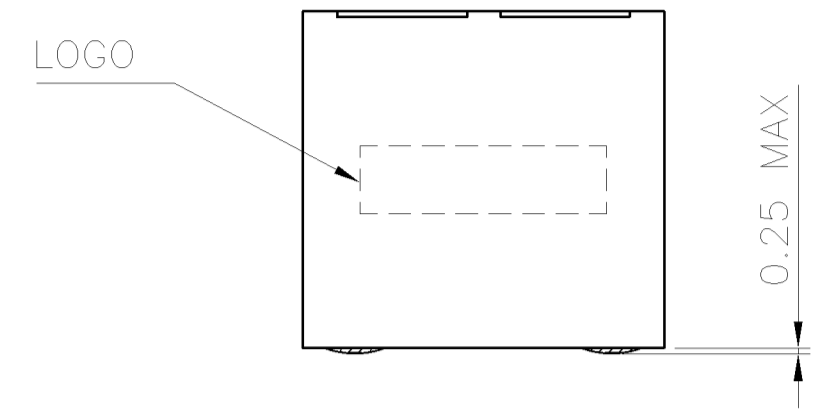
THIS DRAWING IS A CONTROLLED DOCUMENT.		DWN A. WU 04MAR2008	Tyco Electronics Corporation Taipei, Taiwan														
DIMENSIONS: MM		CHK S. HOU 04MAR2008															
TOLERANCES UNLESS OTHERWISE SPECIFIED:		APVD W. KODAMA 04MAR2008	NAME														
<table border="1"> <tr><td>0 PLC</td><td>± 0.50</td></tr> <tr><td>1 PLC</td><td>± 0.38</td></tr> <tr><td>2 PLC</td><td>± 0.25</td></tr> <tr><td>3 PLC</td><td>± 0.10</td></tr> <tr><td>4 PLC</td><td>± -</td></tr> <tr><td>ANGLES</td><td>± -</td></tr> </table>		0 PLC	± 0.50	1 PLC	± 0.38	2 PLC	± 0.25	3 PLC	± 0.10	4 PLC	± -	ANGLES	± -	PRODUCT SPEC 108-57535	MODULAR JACK, RJ45, 8P8C, WITH LED & SHIELD, DIP, REVERSE VERSION		
0 PLC	± 0.50																
1 PLC	± 0.38																
2 PLC	± 0.25																
3 PLC	± 0.10																
4 PLC	± -																
ANGLES	± -																
MATERIAL SEE NOTE		QUALIFICATION TEST REPORT 501-57628	SIZE	CAGE CODE	DRAWING NO												
FINISH SEE NOTE		WEIGHT 4.5 GRAMS	A3	00779	C-1734324												
CUSTOMER DRAWING			RESTRICTED TO	SCALE	SHEET												
			—	—	1 OF 7												
					REV A												

THIS DRAWING IS UNPUBLISHED. RELEASED FOR PUBLICATION
 © COPYRIGHT BY TYCO ELECTRONICS CORPORATION. ALL RIGHTS RESERVED.

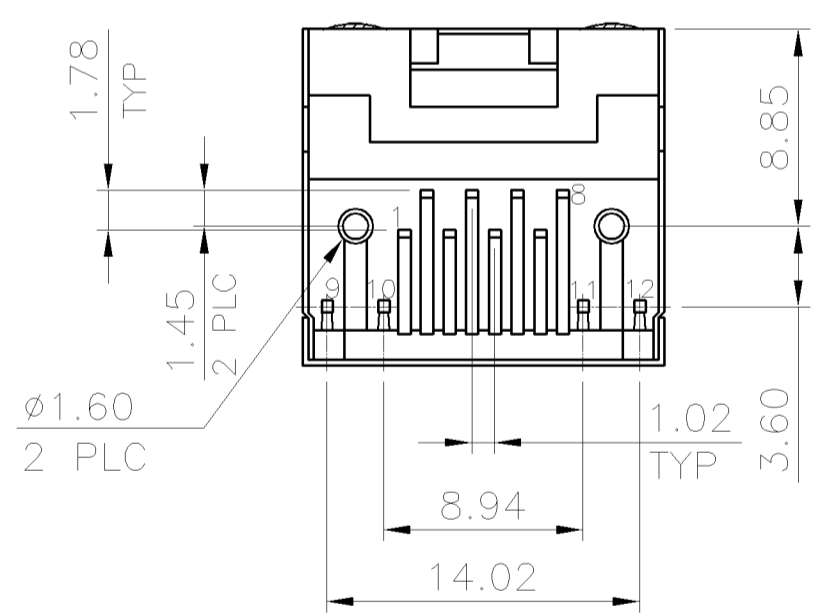
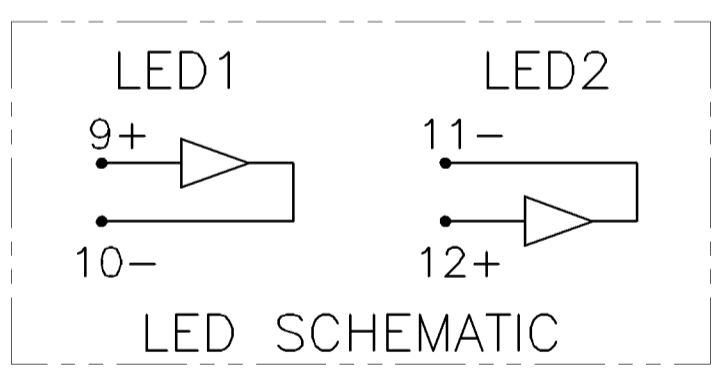
LOC	DIST	REVISIONS					
DW	—	P	LTR	DESCRIPTION	DATE	DWN	APVD
				SEE SHEET 1.			



SECTION A-A



RECOMMENDED PCB LAYOUT (THICKNESS: 1.6mm)
 DIMENSION TOLERANCE: 1 PLC: ±0.1 2PLC: ±0.05



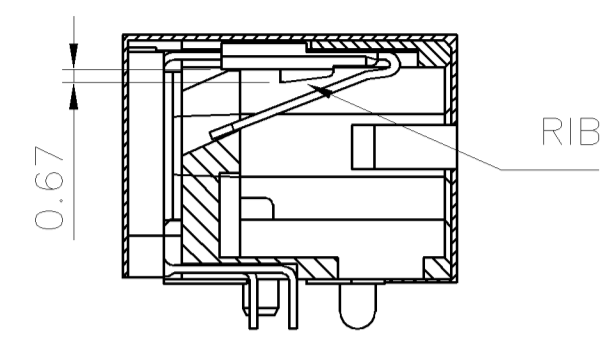
- NOTE:
- MATERIAL:
 HOUSING: PA46 WITH 30% GF, UL 94V-0, BLACK COLOR.
 CONTACTS: PHOSPHOR BRONZE.
 LED LIGHT: EPOXY RESIN.
 SHELL: BRASS.
 - FINISH:
 CONTACTS: (SEE TABLE) GOLD PLATED ON CONTACT AREA, GOLD FLASH ON SOLDER TAILS, WITH ENTIRE CONTACT UNDERPLATED 1.27µm [50µ"] MIN. NICKEL.
 LED: 1.65µm [65µ"] MIN. Ag PLATED.
 2.16µm [85µ"] MIN. TIN PLATED.
 FORWARD CURRENT: 20mA.
 FORWARD VOLTAGE: 2.2 VOLTS TYPICAL.
 SHELL: 0.50µm [20µ"] MIN. NICKEL PLATED.
 - LED MUST BE REFLOW COMPATIBLE TO FOLLOWING TEMPERATURE PROFILE (FOR 1 CYCLE): ABOVE 160°C FOR 120 SECONDS, PEAKING AT 220°C FOR 10 SECONDS.
 - LED DEFECT RATE IS 6000 PPM MAX. AFTER IR REFLOW PROCESS AS NOTE 3.
 - WAVE SOLDER CAPABLE TO 265°C PER TE SPEC. 109-202, CONDITION B.

W/O	REEL	YELLOW	GREEN	50µ"	3-1734324-8
				30µ"	3-1734324-7
				15µ"	3-1734324-6
		GREEN	YELLOW	6µ"	3-1734324-5
				50µ"	3-1734324-4
				30µ"	3-1734324-3
W/	TRAY	YELLOW	GREEN	15µ"	3-1734324-2
				6µ"	3-1734324-1
				50µ"	2-1734324-8
		GREEN	YELLOW	30µ"	2-1734324-7
				15µ"	2-1734324-6
				6µ"	2-1734324-5
RIB	PACKAGE	POSITION 2	POSITION 1	MIN. GOLD THICKNESS	PART NUMBER
				INDICATOR COLOR	

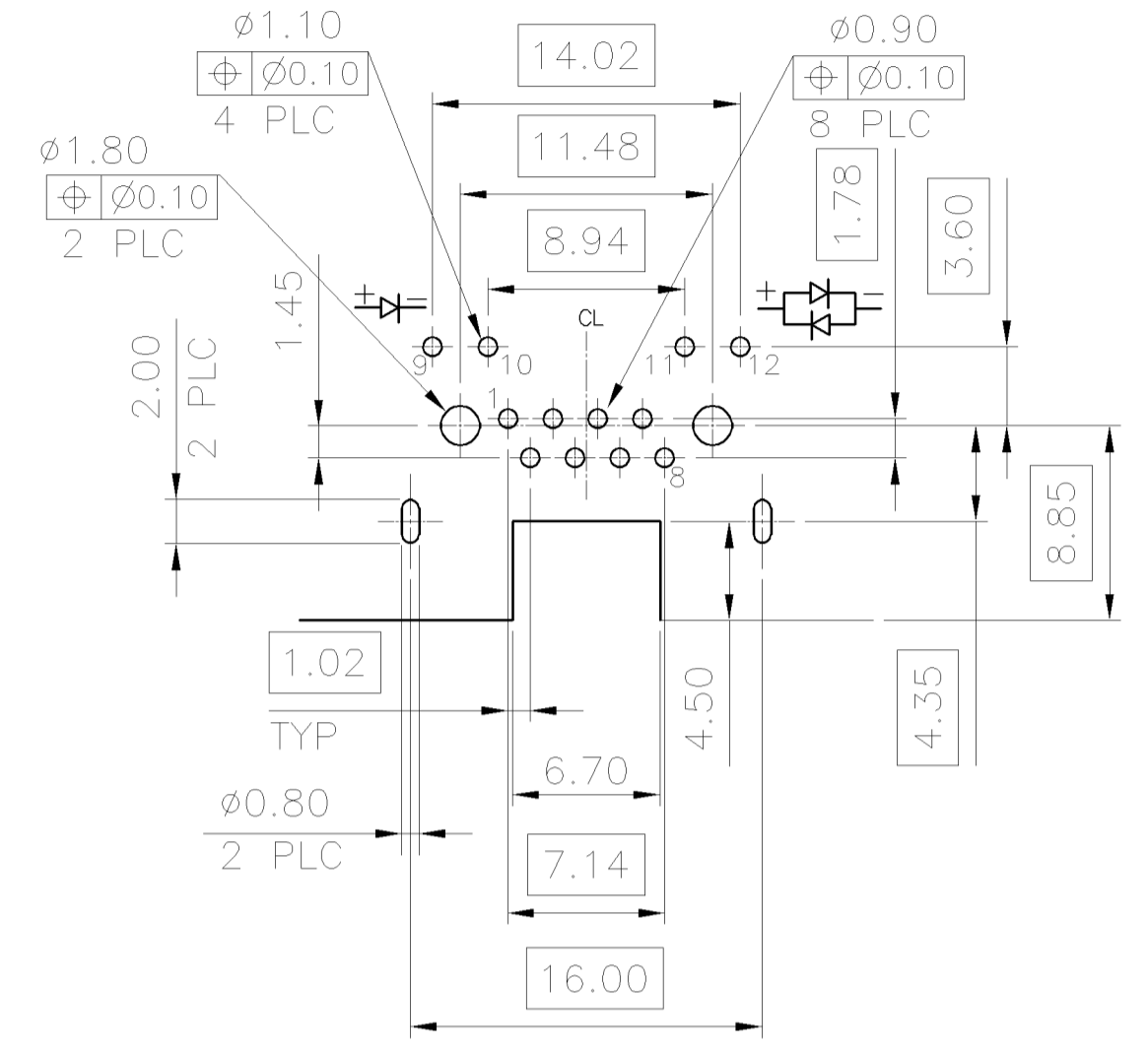
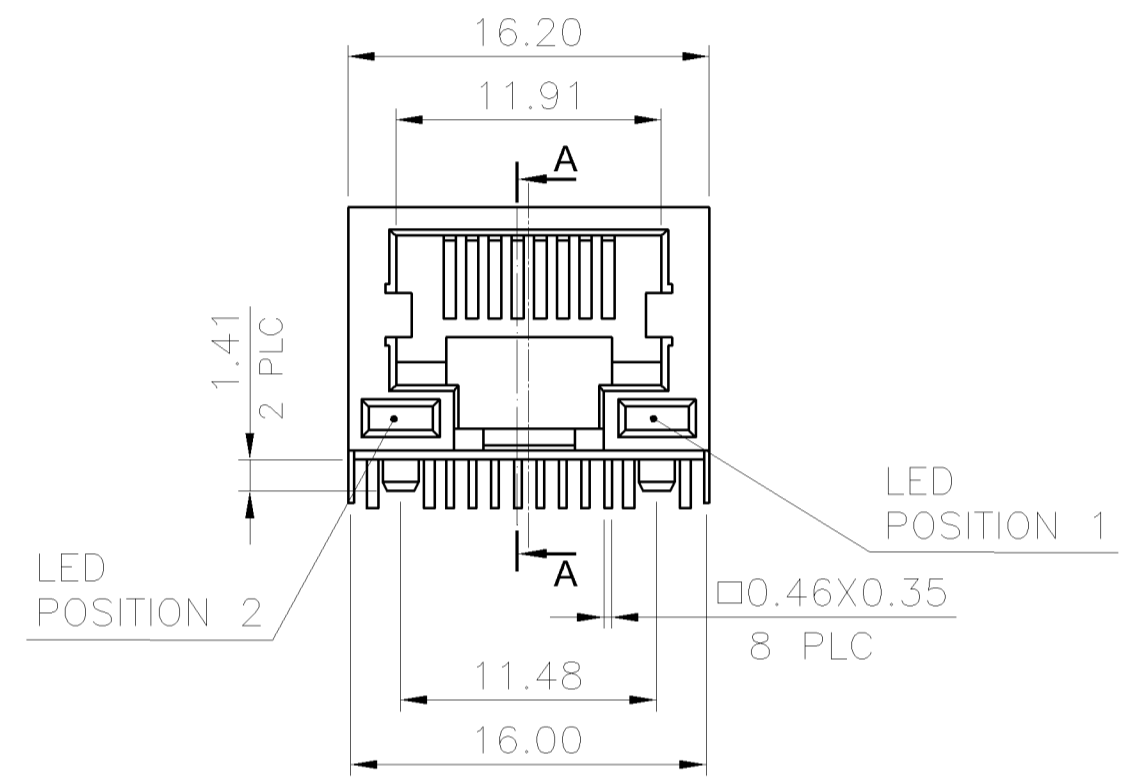
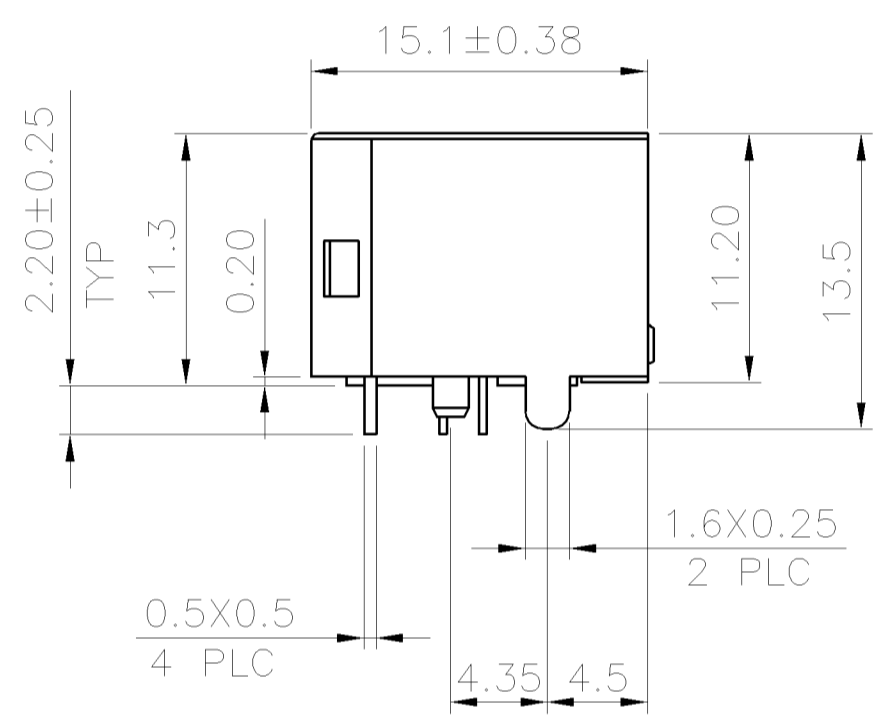
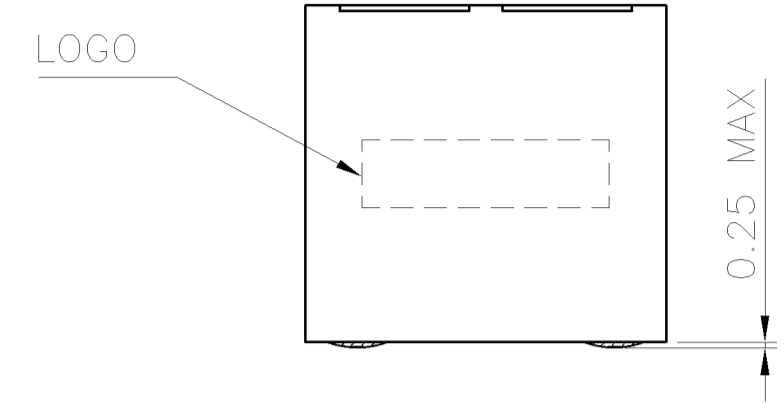
THIS DRAWING IS A CONTROLLED DOCUMENT.		DWN	04MAR2008		Tyco Electronics Corporation Taipei, Taiwan	
DIMENSIONS: MM		A. WU	04MAR2008			
TOLERANCES UNLESS OTHERWISE SPECIFIED:		CHK	04MAR2008		NAME MODULAR JACK, RJ45, 8P8C, WITH LED & SHIELD, DIP, REVERSE VERSION	
0 PLC ± 0.50		S. HOU	04MAR2008			
1 PLC ± 0.38		APVD	04MAR2008		SIZE CAGE CODE DRAWING NO RESTRICTED TO 501-57628 A300779 C=1734324	
2 PLC ± 0.25		W. KODAMA				
3 PLC ± 0.10		PRODUCT SPEC			WEIGHT 4.5 GRAMS	
4 PLC ± -		108-57535				
ANGLES ± -		QUALIFICATION TEST REPORT			SCALE - SHEET 2 OF 7 REV A	
FINISH		501-57628				
MATERIAL SEE NOTE		CUSTOMER DRAWING				
SEE NOTE		SCALE - SHEET 2 OF 7 REV A				

THIS DRAWING IS UNPUBLISHED. RELEASED FOR PUBLICATION
 © COPYRIGHT BY TYCO ELECTRONICS CORPORATION. ALL RIGHTS RESERVED.

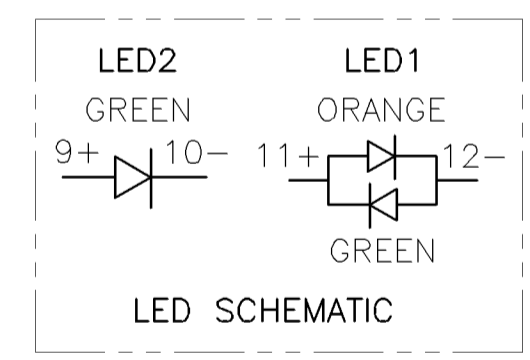
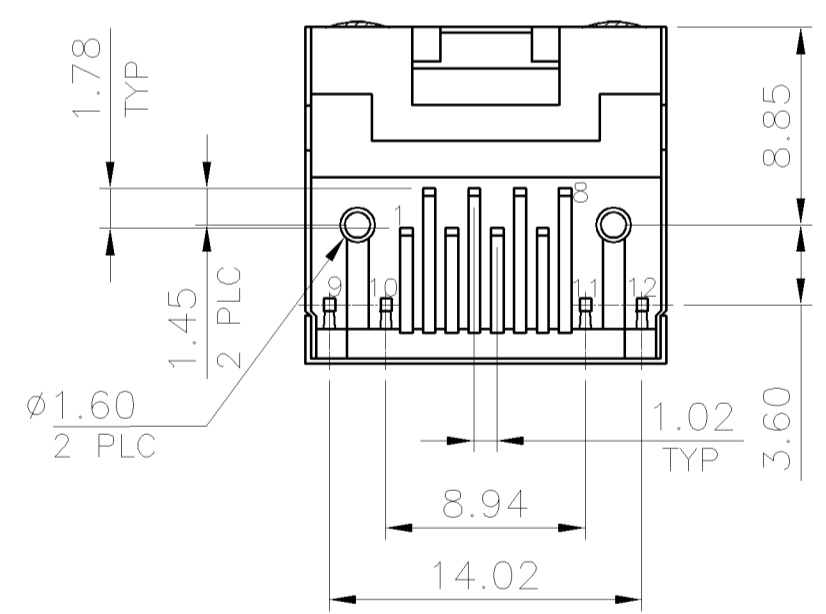
LOC	DIST	REVISIONS					
DW	—	P	LTR	DESCRIPTION	DATE	DWN	APVD
				SEE SHEET 1.			



SECTION A-A



RECOMMENDED PCB LAYOUT (THICKNESS: 1.6mm)
 DIMENSION TOLERANCE: 1 PLC: ±0.1 2PLC: ±0.05



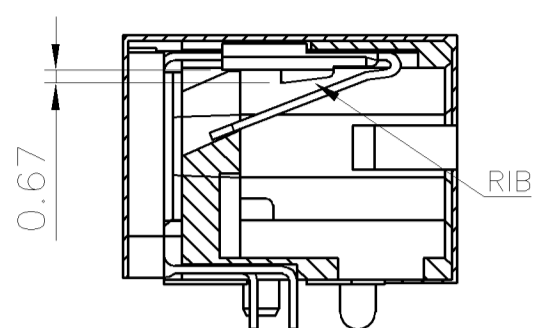
- NOTE:
- MATERIAL:
 HOUSING: PA46 WITH 30% GF, UL 94V-0, BLACK COLOR.
 CONTACTS: PHOSPHOR BRONZE.
 LED LIGHT: EPOXY RESIN.
 SHELL: BRASS.
 - FINISH:
 CONTACTS: (SEE TABLE) GOLD PLATED ON CONTACT AREA, GOLD FLASH ON SOLDER TAILS, WITH ENTIRE CONTACT UNDERPLATED 1.27µm [50µ"] MIN. NICKEL.
 LED: 1.65µm [65µ"] MIN. Ag PLATED.
 2.16µm [85µ"] MIN. TIN PLATED.
 FORWARD CURRENT: 20mA.
 FORWARD VOLTAGE: 2.2 VOLTS TYPICAL.
 SHELL: 0.50µm [20µ"] MIN. NICKEL PLATED.
 - LED MUST BE REFLOW COMPATIBLE TO FOLLOWING TEMPERATURE PROFILE (FOR 1 CYCLE): ABOVE 160°C FOR 120 SECONDS, PEAKING AT 220°C FOR 10 SECONDS.
 - LED DEFECT RATE IS 6000 PPM MAX. AFTER IR REFLOW PROCESS AS NOTE 3.
 - WAVE SOLDER CAPABLE TO 265°C PER TE SPEC. 109-202, CONDITION B.

TRAY	GREEN	ORANGE & GREEN	50µ"	4-1734324-4
			30µ"	4-1734324-3
			15µ"	4-1734324-2
			6µ"	4-1734324-1
PACKAGE	POSITION 2	POSITION 1	MIN. GOLD THICKNESS	PART NUMBER

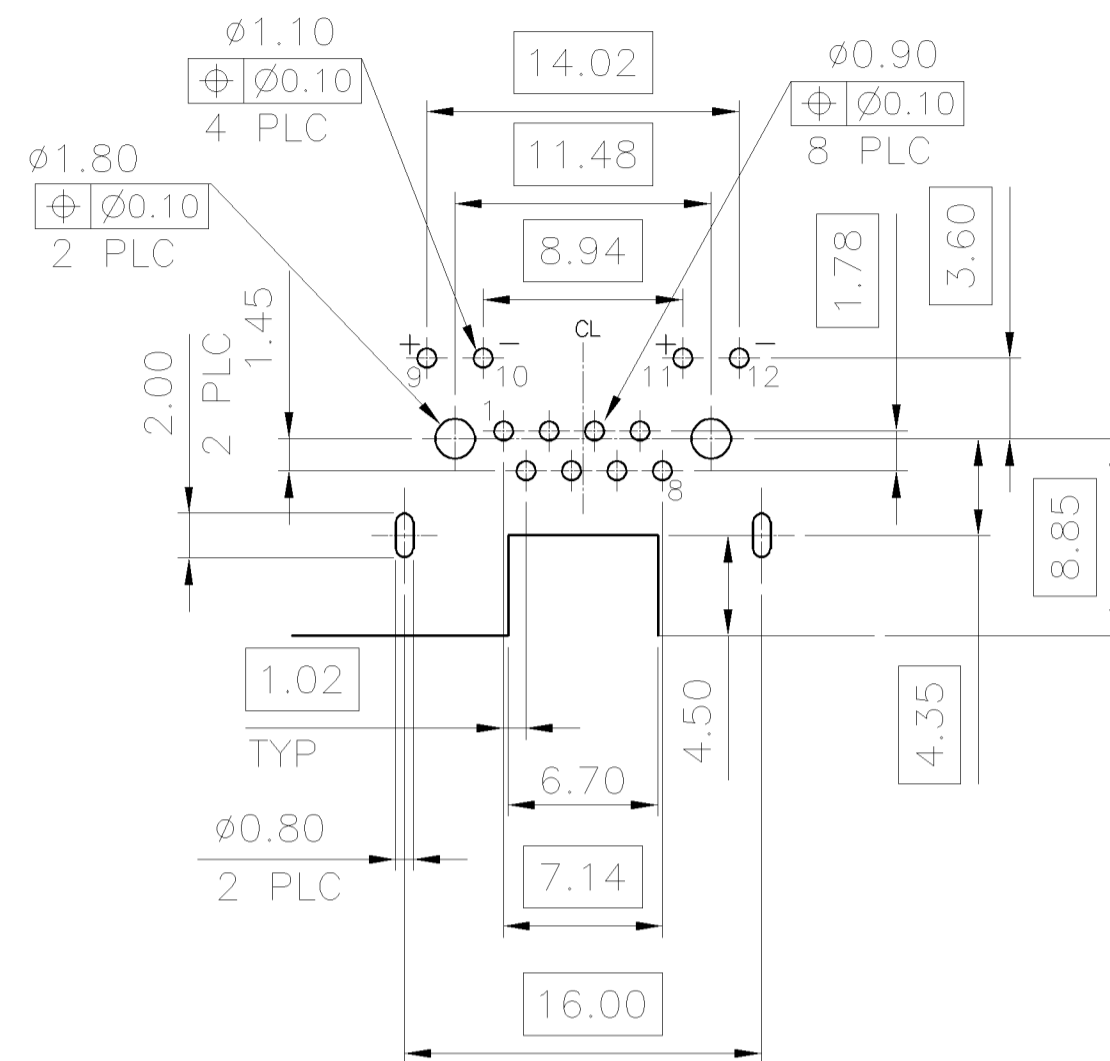
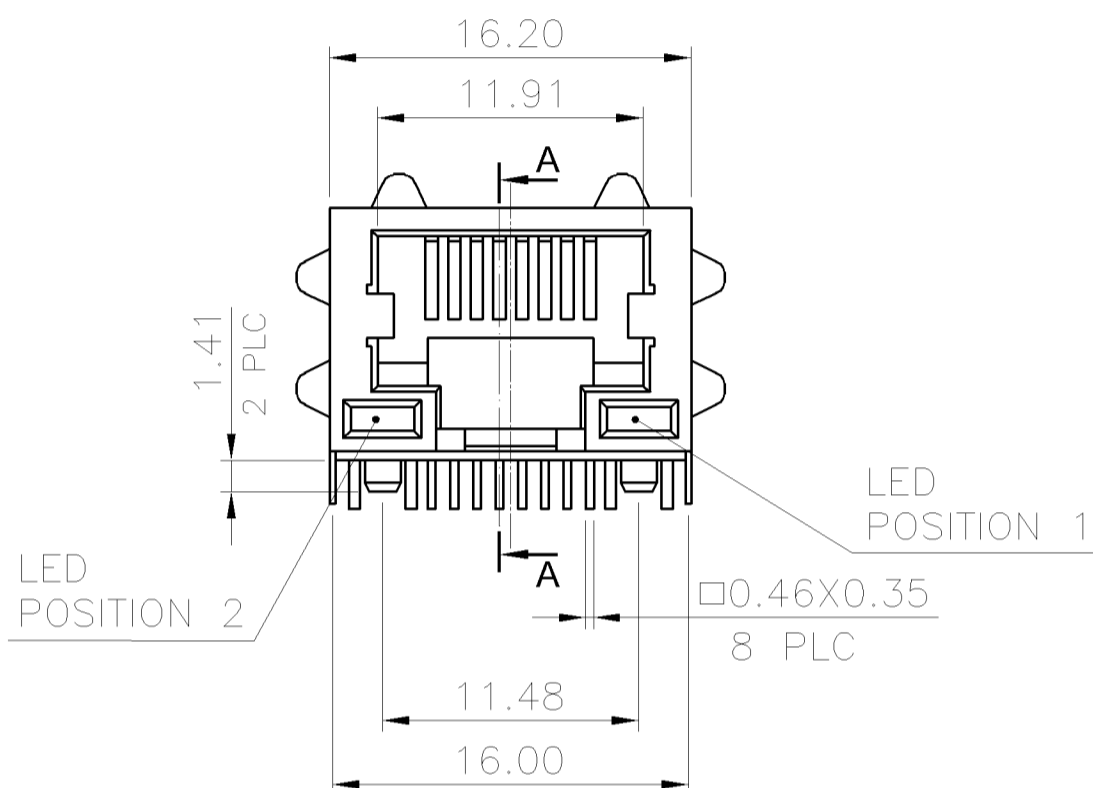
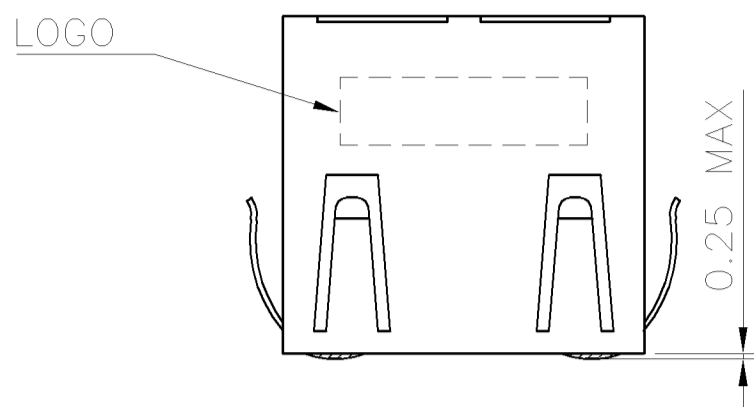
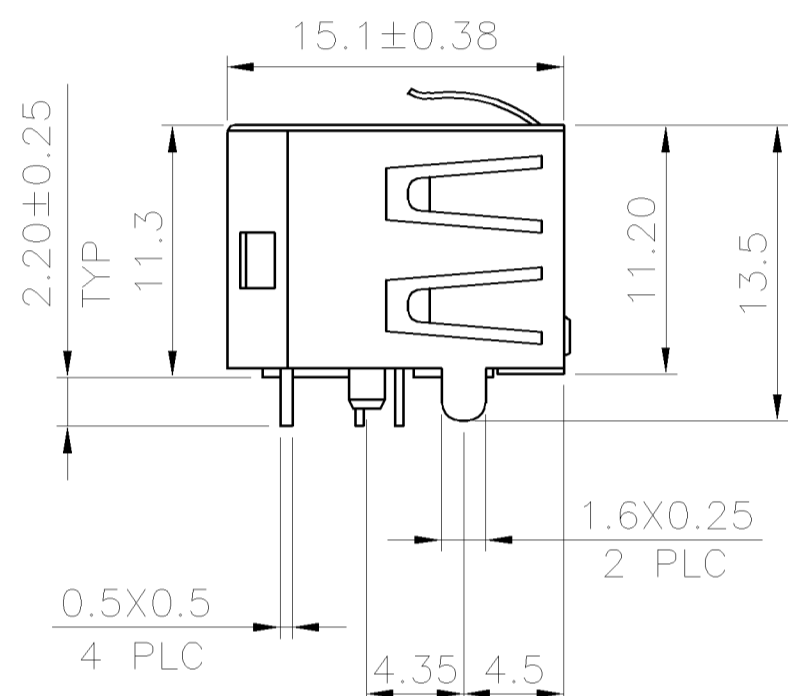
THIS DRAWING IS A CONTROLLED DOCUMENT.		DWN	04MAR2008		Tyco Electronics Corporation Taipei, Taiwan	
DIMENSIONS: MM		CHK	04MAR2008		NAME	
TOLERANCES UNLESS OTHERWISE SPECIFIED:		APVD	04MAR2008		MODULAR JACK, RJ45, 8P8C, WITH LED & SHIELD, DIP, REVERSE VERSION	
0 PLC	± 0.50	W. KODAMA		PRODUCT SPEC		
1 PLC	± 0.38	108-57535		QUALIFICATION TEST REPORT		
2 PLC	± 0.25	501-57628		SIZE	CAGE CODE	
3 PLC	± 0.10	4.5 GRAMS		DRAWING NO		
4 PLC	± -	CUSTOMER DRAWING		RESTRICTED TO		
ANGLES	± -	SCALE -		SHEET 3 OF 7		
MATERIAL	FINISH	WEIGHT		REV A		
SEE NOTE	SEE NOTE	A300779		G=1734324		

THIS DRAWING IS UNPUBLISHED. RELEASED FOR PUBLICATION
 © COPYRIGHT BY TYCO ELECTRONICS CORPORATION. ALL RIGHTS RESERVED.

LOC	DIST	REVISIONS					
DW	—	P	LTR	DESCRIPTION	DATE	DWN	APVD
				SEE SHEET 1.			



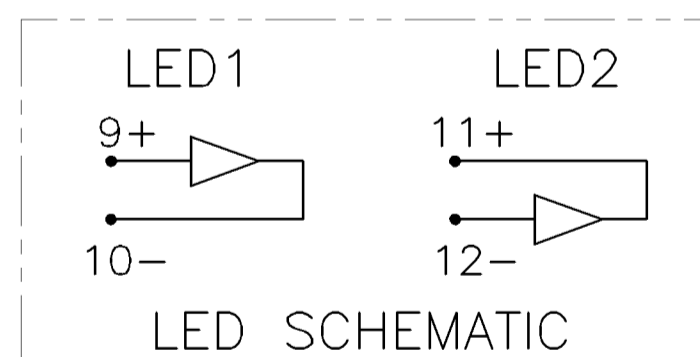
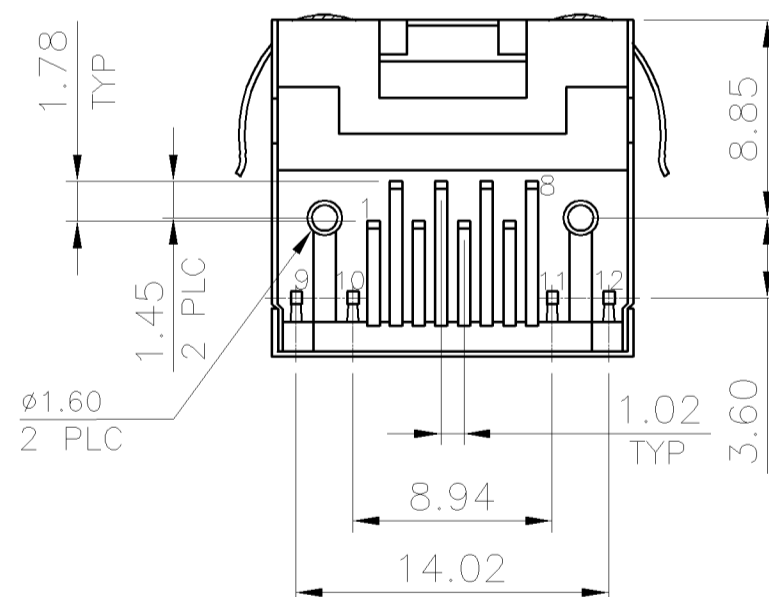
SECTION A-A



RECOMMENDED PCB LAYOUT (THICKNESS: 1.6mm)
 DIMENSION TOLERANCE: 1 PLC: ±0.1 2PLC: ±0.05

NOTE:

- MATERIAL:
 HOUSING: PA46 WITH 30% GF, UL 94V-0, BLACK COLOR.
 CONTACTS: PHOSPHOR BRONZE.
 LED LIGHT: EPOXY RESIN.
 SHELL: BRASS.
- FINISH:
 CONTACTS: (SEE TABLE) GOLD PLATED ON CONTACT AREA, GOLD FLASH ON SOLDER TAILS, WITH ENTIRE CONTACT UNDERPLATED 1.27µm [50µ"] MIN. NICKEL.
 LED: 1.65µm [65µ"] MIN. Ag PLATED.
 2.16µm [85µ"] MIN. TIN PLATED.
 FORWARD CURRENT: 20mA.
 FORWARD VOLTAGE: 2.2 VOLTS TYPICAL.
 SHELL: 0.50µm [20µ"] MIN. NICKEL PLATED.
- LED MUST BE REFLOW COMPATIBLE TO FOLLOWING TEMPERATURE PROFILE (FOR 1 CYCLE): ABOVE 160°C FOR 120 SECONDS, PEAKING AT 220°C FOR 10 SECONDS.
- LED DEFECT RATE IS 6000 PPM MAX. AFTER IR REFLOW PROCESS AS NOTE 3.
- WAVE SOLDER CAPABLE TO 265°C PER TE SPEC. 109-202, CONDITION B.

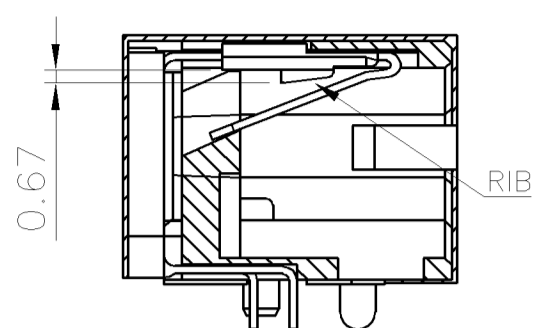


TRAY	YELLOW	GREEN	50µ"	5-1734324-8
			30µ"	5-1734324-7
			15µ"	5-1734324-6
	GREEN	YELLOW	6µ"	5-1734324-5
			50µ"	5-1734324-4
			30µ"	5-1734324-3
			15µ"	5-1734324-2
			6µ"	5-1734324-1
PACKAGE	POSITION 2	POSITION 1	MIN. GOLD THICKNESS	PART NUMBER
	INDICATOR COLOR			

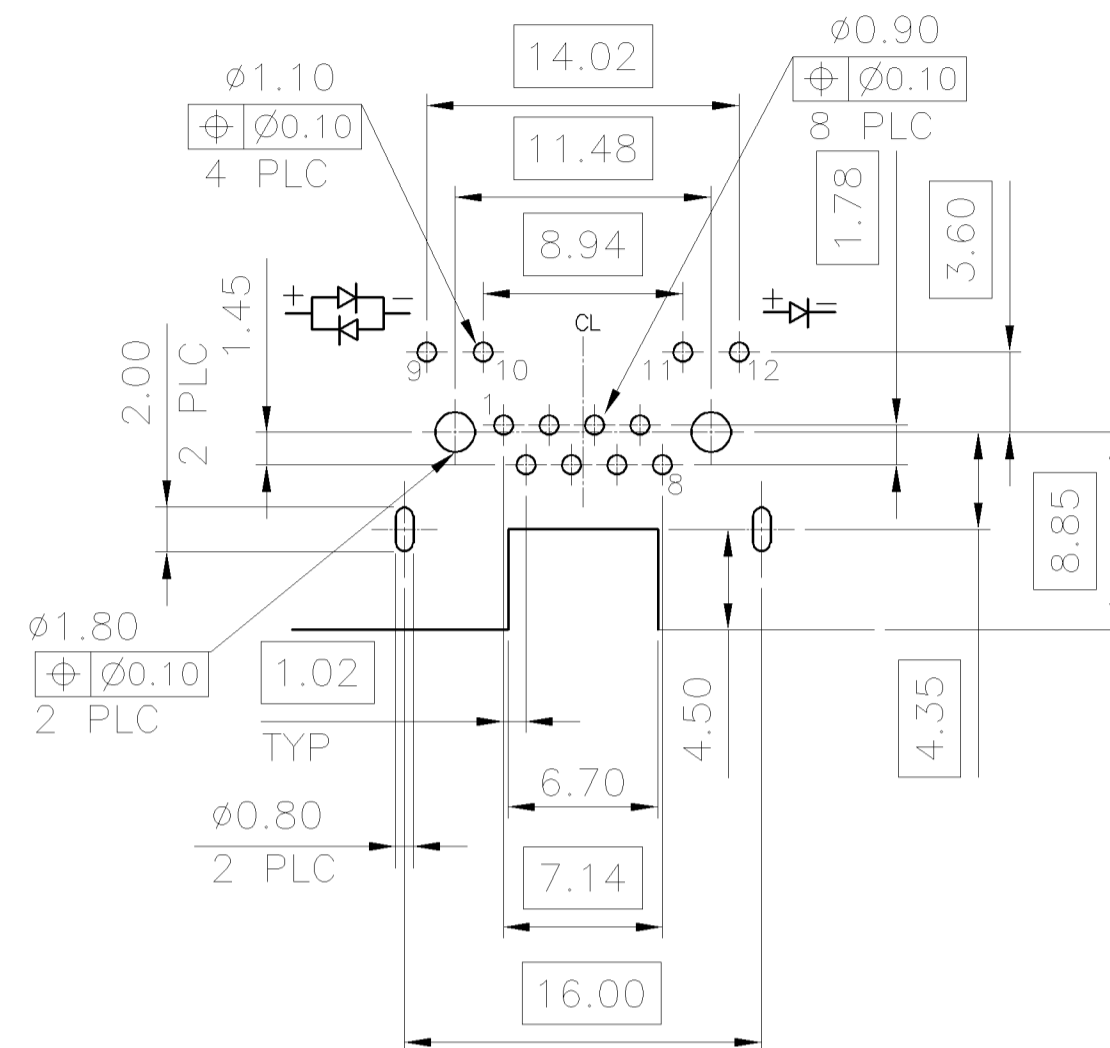
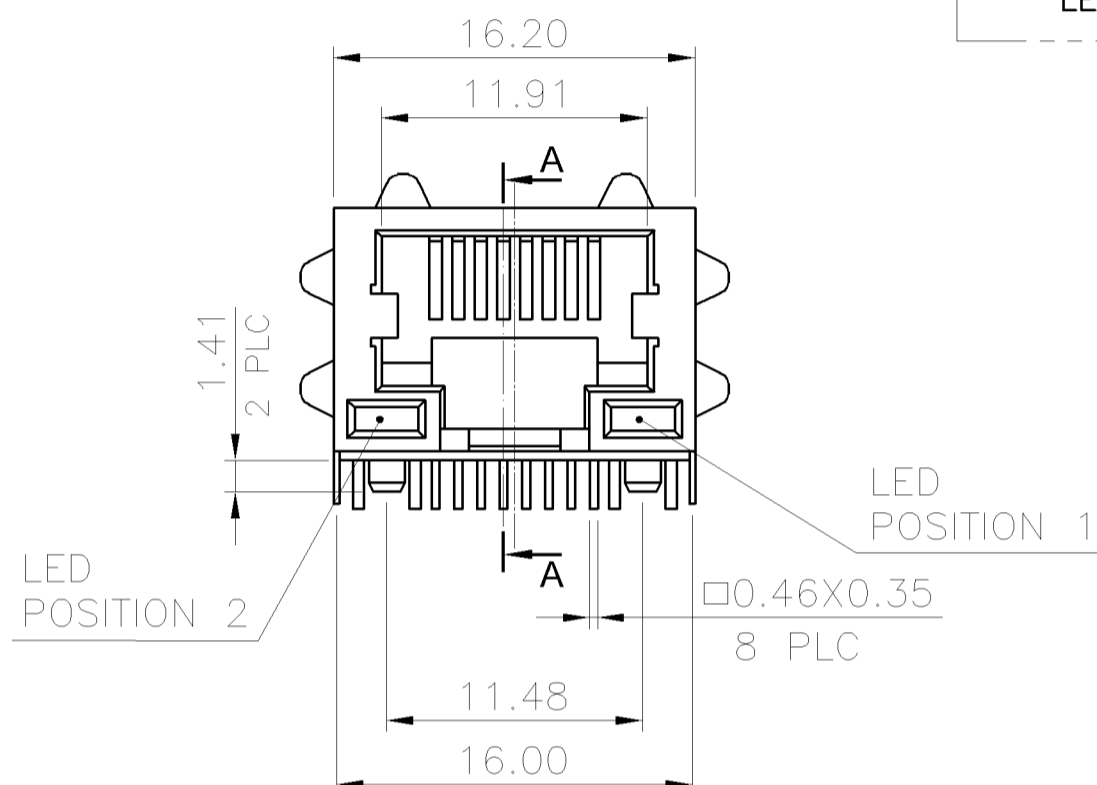
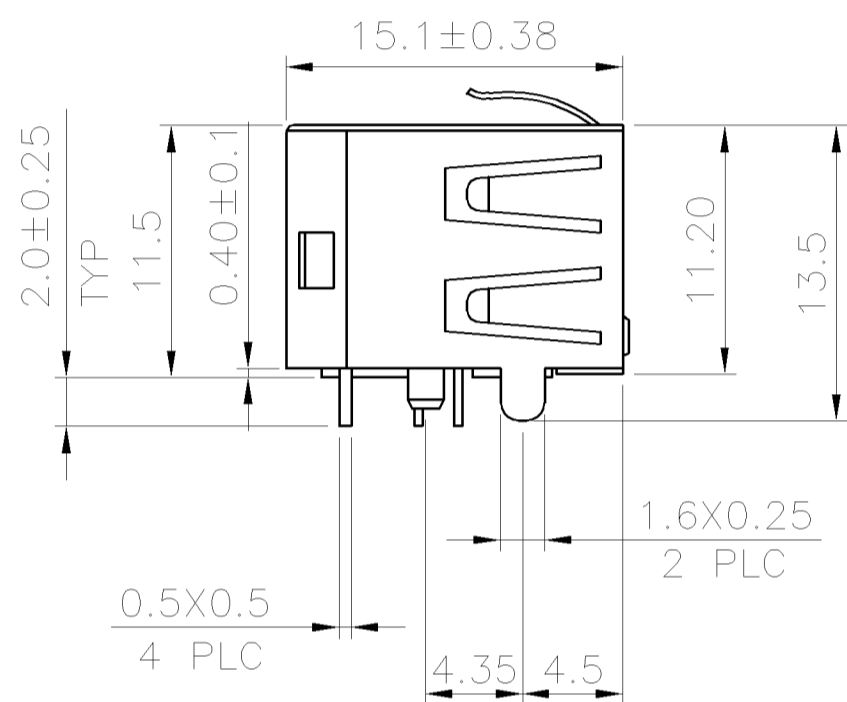
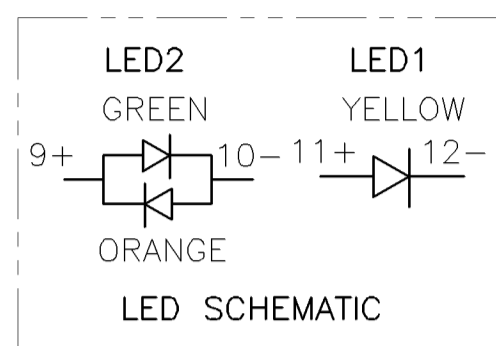
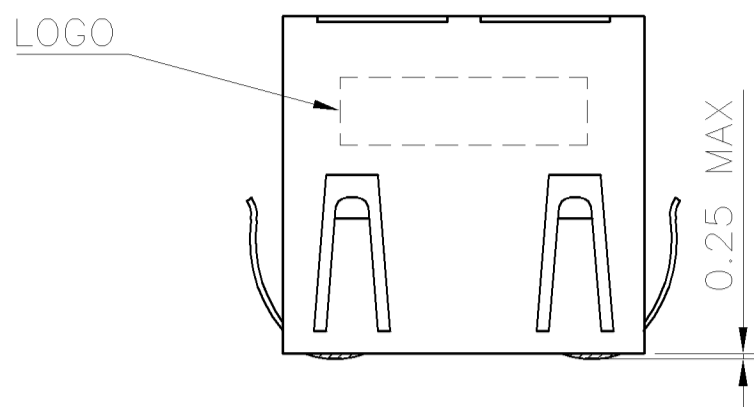
THIS DRAWING IS A CONTROLLED DOCUMENT.		DWN	A. WU	04MAR2008	Tyco Electronics Corporation Taipei, Taiwan				
DIMENSIONS: MM		CHK	S. HOU	04MAR2008				NAME	
TOLERANCES UNLESS OTHERWISE SPECIFIED:		APVD	W. KODAMA	04MAR2008	MODULAR JACK, RJ45, 8P8C, WITH LED & SHIELD, DIP, REVERSE VERSION				
0 PLC ± 0.50 1 PLC ± 0.38 2 PLC ± 0.25 3 PLC ± 0.10 4 PLC ± - ANGLES ± -		PRODUCT SPEC		108-57535		SIZE	CAGE CODE	DRAWING NO	RESTRICTED TO
MATERIAL SEE NOTE		FINISH SEE NOTE		QUALIFICATION TEST REPORT		501-57628		A300779 C-1734324	
		WEIGHT		4.5 GRAMS		SCALE		SHEET 4 OF 7	
		CUSTOMER DRAWING				REV		A	

THIS DRAWING IS UNPUBLISHED. RELEASED FOR PUBLICATION
 © COPYRIGHT BY TYCO ELECTRONICS CORPORATION. ALL RIGHTS RESERVED.

LOC DW	DIST -	REVISIONS		
P	LTR	DESCRIPTION	DATE	DWN APVD
		SEE SHEET 1.		



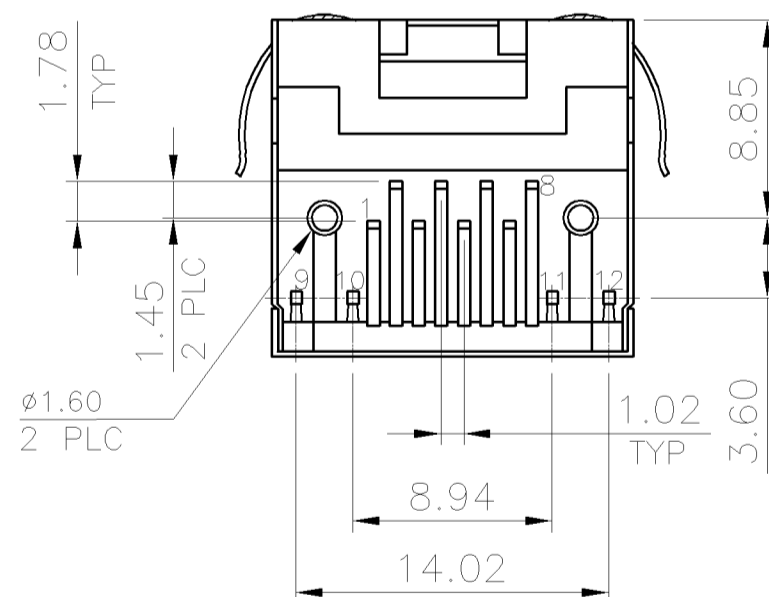
SECTION A-A



RECOMMENDED PCB LAYOUT (THICKNESS: 1.6mm)
 DIMENSION TOLERANCE: 1 PLC: ±0.1 2PLC: ±0.05

NOTE:

- MATERIAL:
HOUSING: PA9T WITH 30% GF, UL 94V-0, BLACK COLOR.
CONTACTS: PHOSPHOR BRONZE.
LED LIGHT: EPOXY RESIN.
SHELL: BRASS.
- FINISH:
CONTACTS: (SEE TABLE) GOLD PLATED ON CONTACT AREA, GOLD FLASH ON SOLDER TAILS, WITH ENTIRE CONTACT UNDERPLATED 1.27µm [50µ"] MIN. NICKEL.
LED: 1.65µm [65µ"] MIN. Ag PLATED.
2.16µm [85µ"] MIN. TIN PLATED.
FORWARD CURRENT: 20mA.
FORWARD VOLTAGE: 2.2 VOLTS TYPICAL.
SHELL: 0.50µm [20µ"] MIN. NICKEL PLATED.
- LED MUST BE REFLOW COMPATIBLE TO FOLLOWING TEMPERATURE PROFILE (FOR 1 CYCLE): ABOVE 160°C FOR 120 SECONDS, PEAKING AT 220°C FOR 10 SECONDS.
- LED DEFECT RATE IS 6000 PPM MAX. AFTER IR REFLOW PROCESS AS NOTE 3.
- REFLOW SOLDER CAPABLE TO 260°C PER TE SPEC. 109-201, CONDITION B.



TAPE & REEL	GREEN & ORANGE	YELLOW	50µ"	6-1734324-8
			30µ"	6-1734324-7
			15µ"	6-1734324-6
			6µ"	6-1734324-5
TRAY	GREEN & ORANGE	YELLOW	50µ"	6-1734324-4
			30µ"	6-1734324-3
			15µ"	6-1734324-2
			6µ"	6-1734324-1
PACKAGE	POSITION 2	POSITION 1	MIN. GOLD THICKNESS	PART NUMBER
	INDICATOR COLOR			

THIS DRAWING IS A CONTROLLED DOCUMENT.		DWN A. WU 04MAR2008	Tyco Electronics Corporation Taipei, Taiwan														
DIMENSIONS: MM		CHK S. HOU 04MAR2008															
TOLERANCES UNLESS OTHERWISE SPECIFIED:		APVD W. KODAMA 04MAR2008	NAME														
<table border="1"> <tr><td>0 PLC</td><td>± 0.50</td></tr> <tr><td>1 PLC</td><td>± 0.38</td></tr> <tr><td>2 PLC</td><td>± 0.25</td></tr> <tr><td>3 PLC</td><td>± 0.10</td></tr> <tr><td>4 PLC</td><td>± -</td></tr> <tr><td>ANGLES</td><td>± -</td></tr> </table>		0 PLC	± 0.50	1 PLC	± 0.38	2 PLC	± 0.25	3 PLC	± 0.10	4 PLC	± -	ANGLES	± -	PRODUCT SPEC 108-57535	MODULAR JACK, RJ45, 8P8C, WITH LED & SHIELD, DIP, REVERSE VERSION		
0 PLC	± 0.50																
1 PLC	± 0.38																
2 PLC	± 0.25																
3 PLC	± 0.10																
4 PLC	± -																
ANGLES	± -																
MATERIAL SEE NOTE		QUALIFICATION TEST REPORT 501-57628	SIZE	CAGE CODE	DRAWING NO												
FINISH SEE NOTE		WEIGHT 4.5 GRAMS	A300779		RESTRICTED TO												
		CUSTOMER DRAWING	SCALE	SHEET	REV												
			-	5 OF 7	A												

THIS DRAWING IS UNPUBLISHED.

RELEASED FOR PUBLICATION

ALL RIGHTS RESERVED.

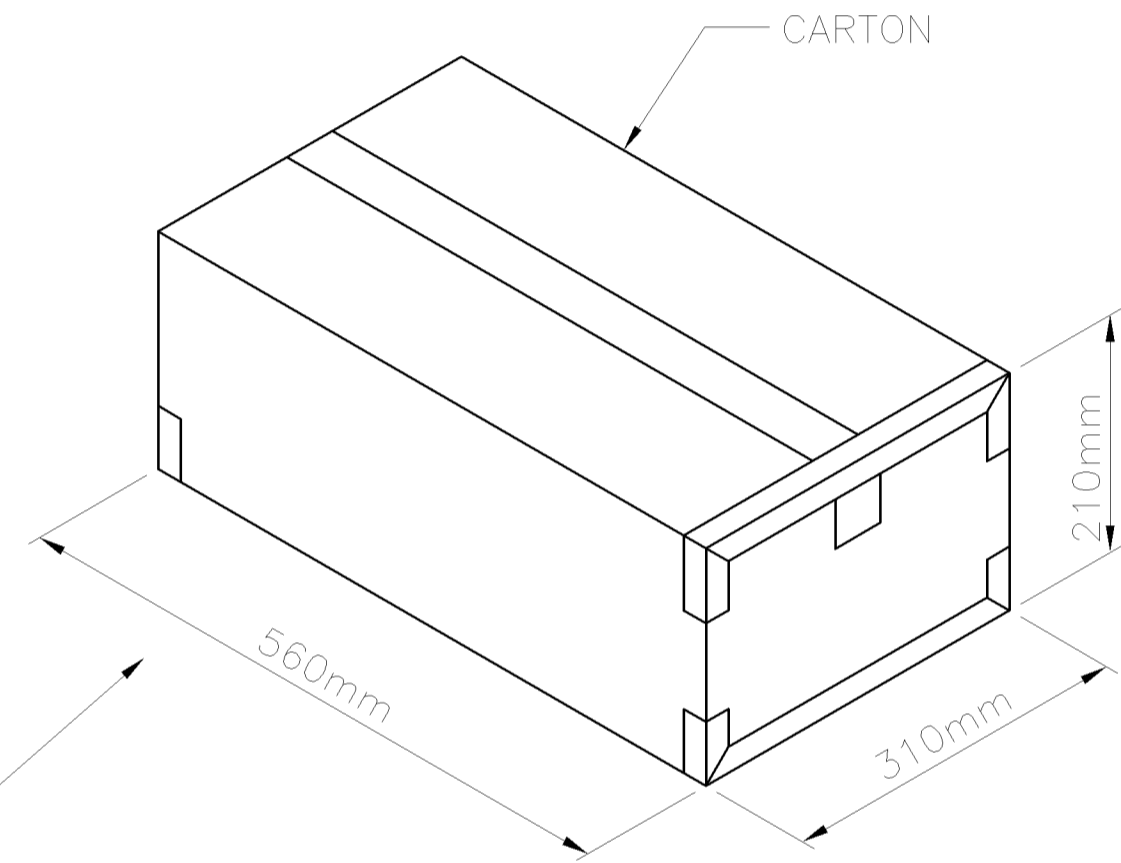
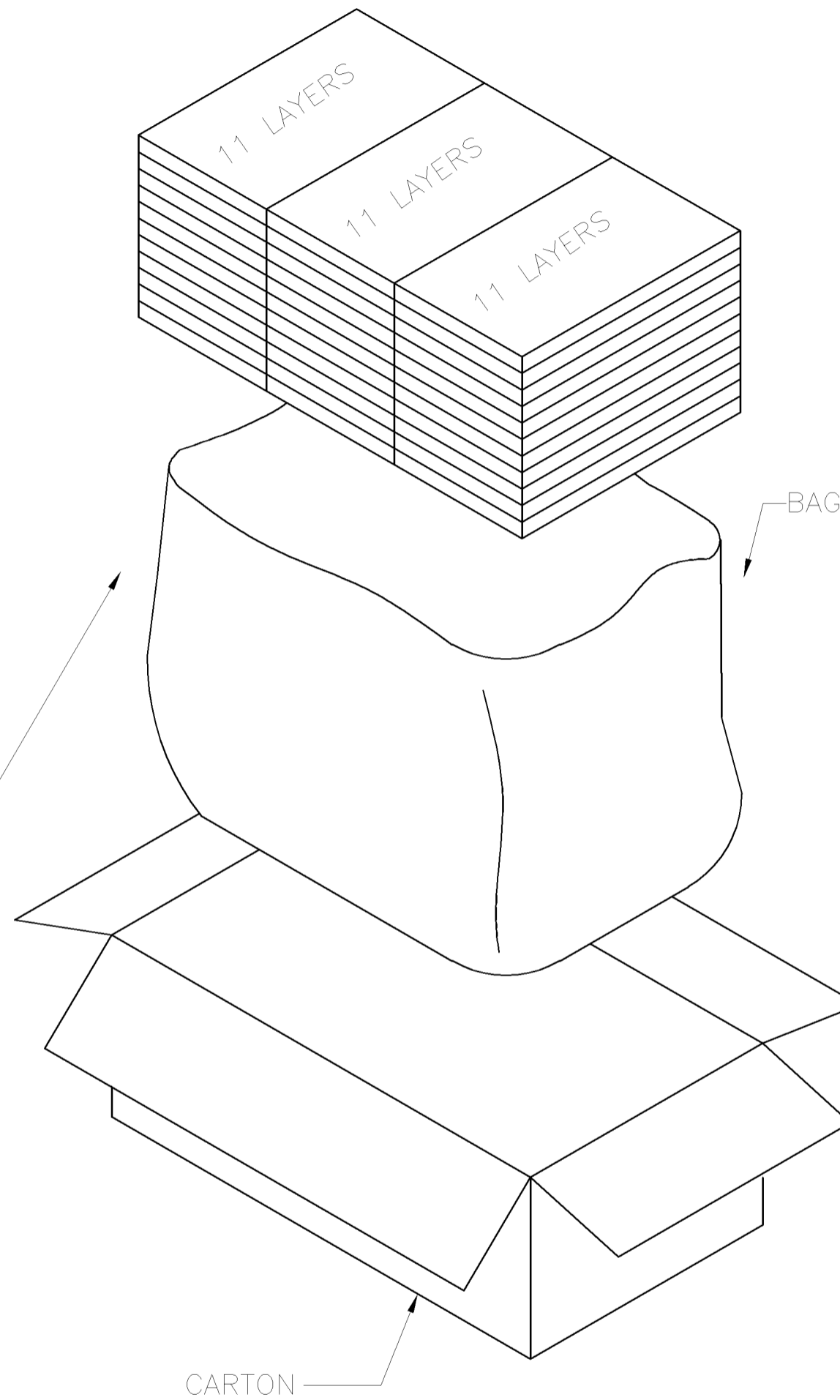
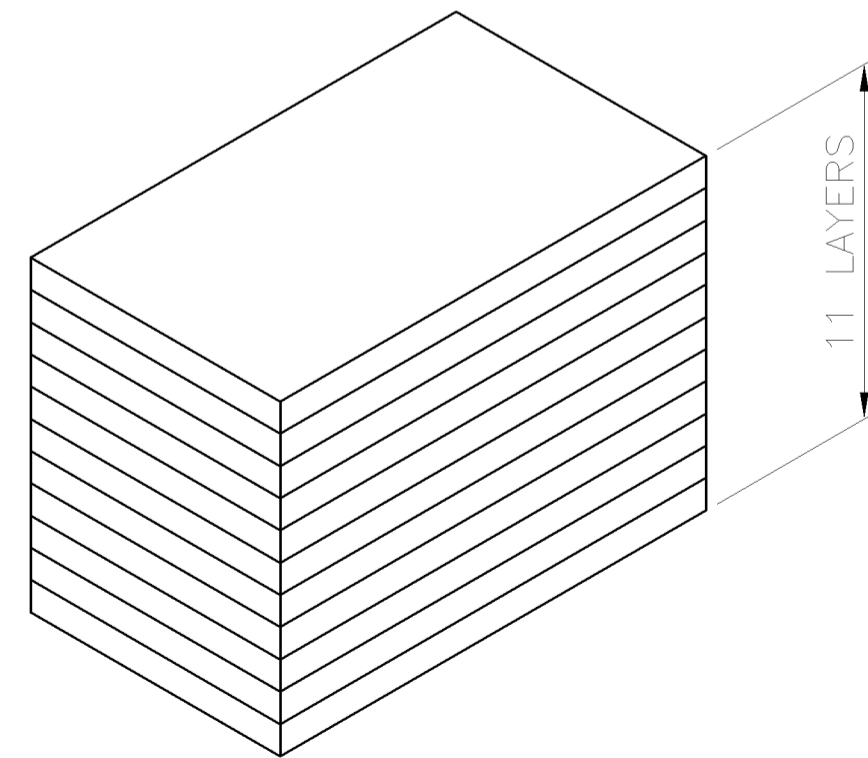
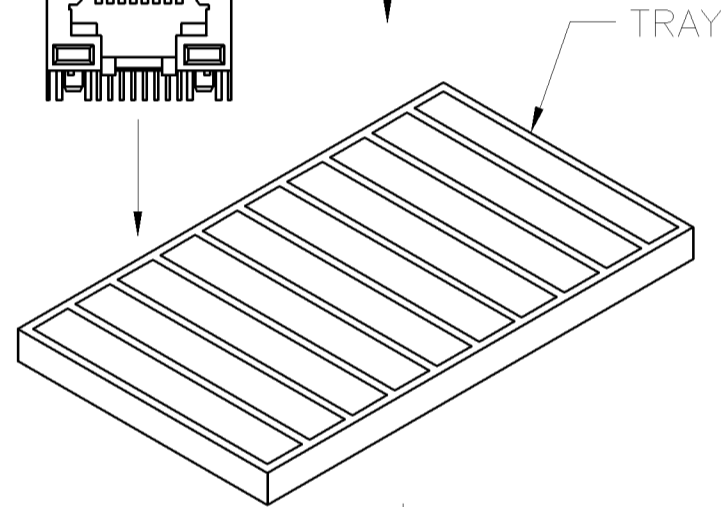
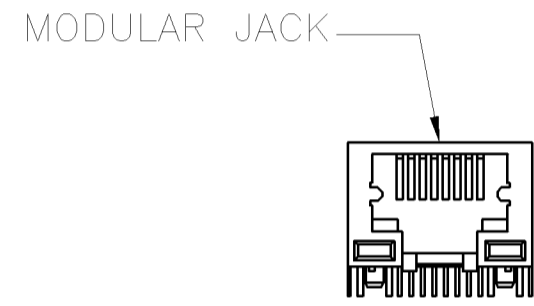
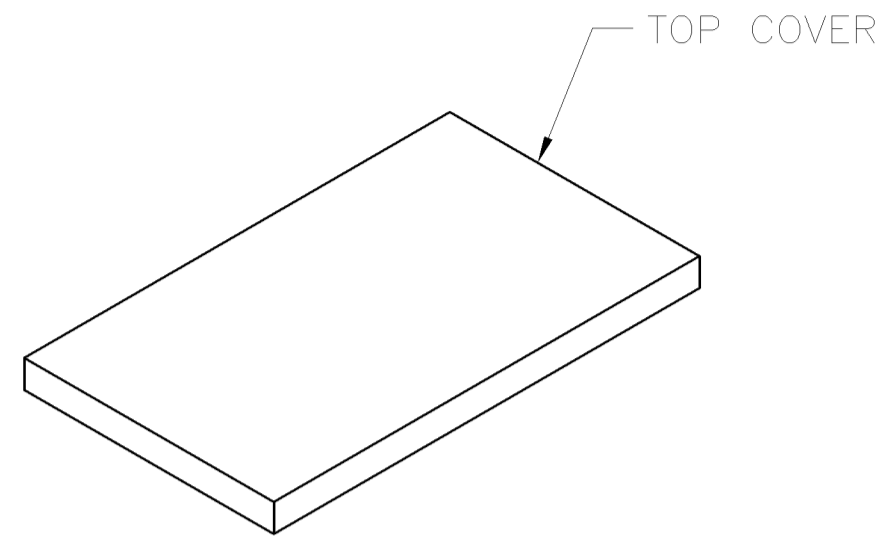
© COPYRIGHT -

LOC
DW

DIST
-

REVISIONS

P	LTR	DESCRIPTION	DATE	DWN	APVD
		SEE SHEET 1.			

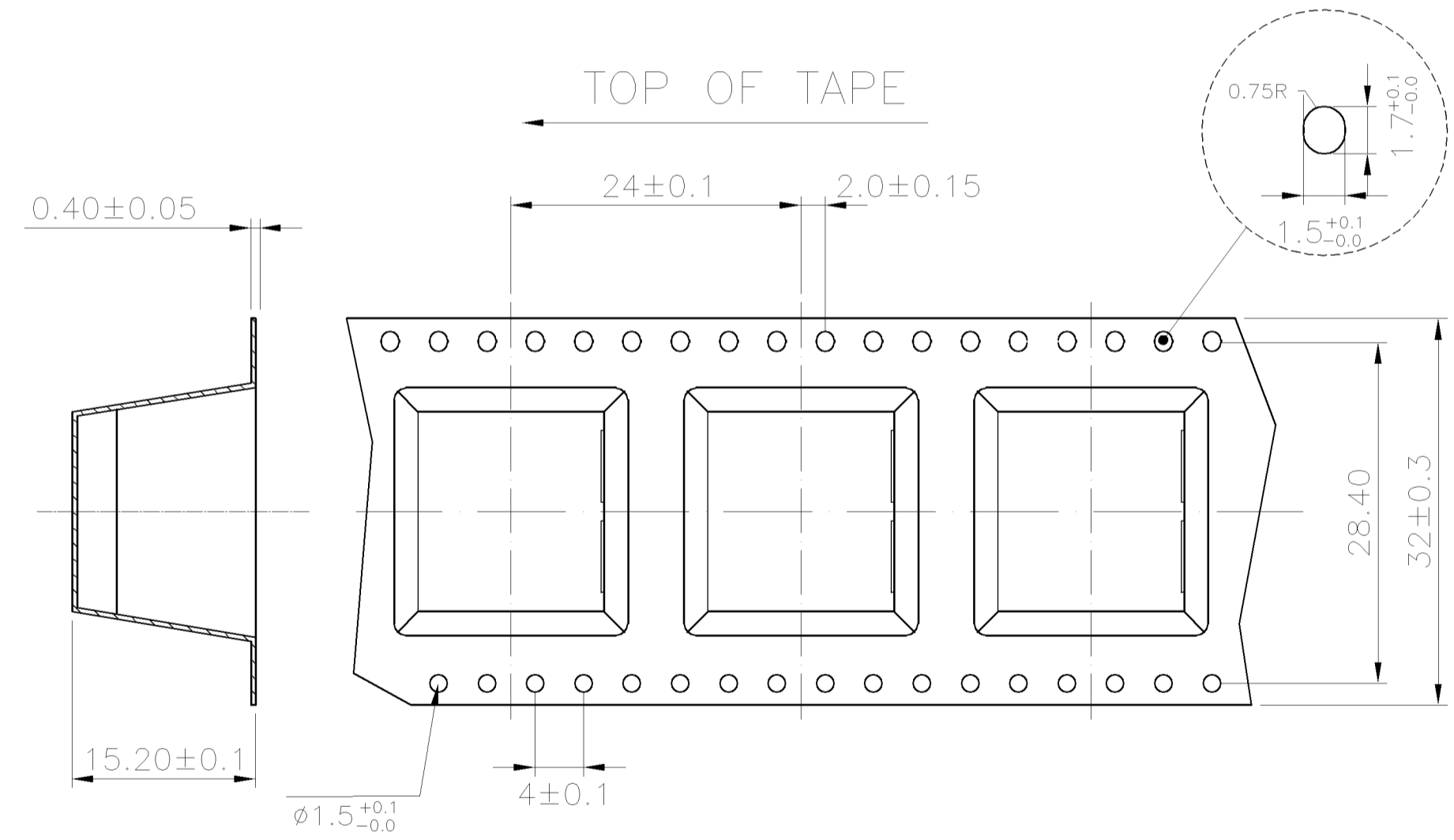
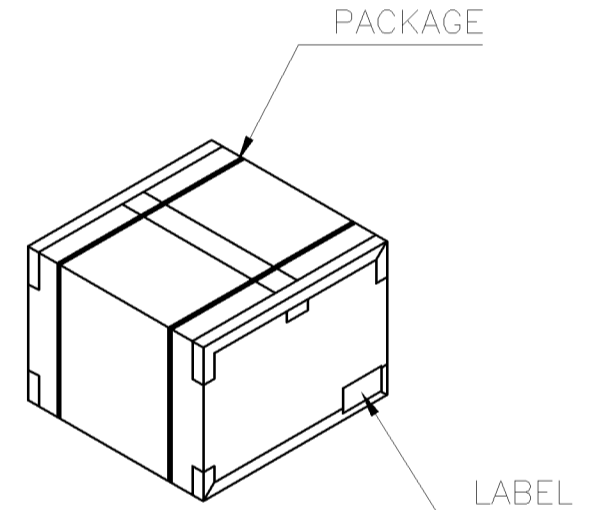
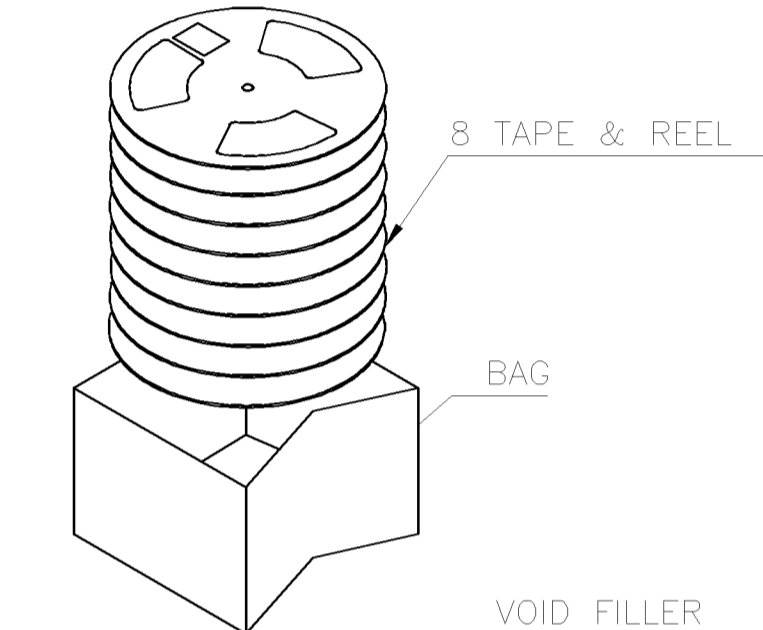
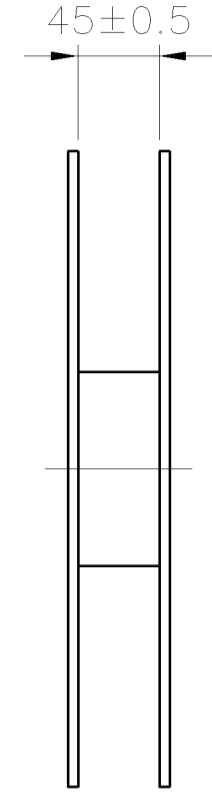
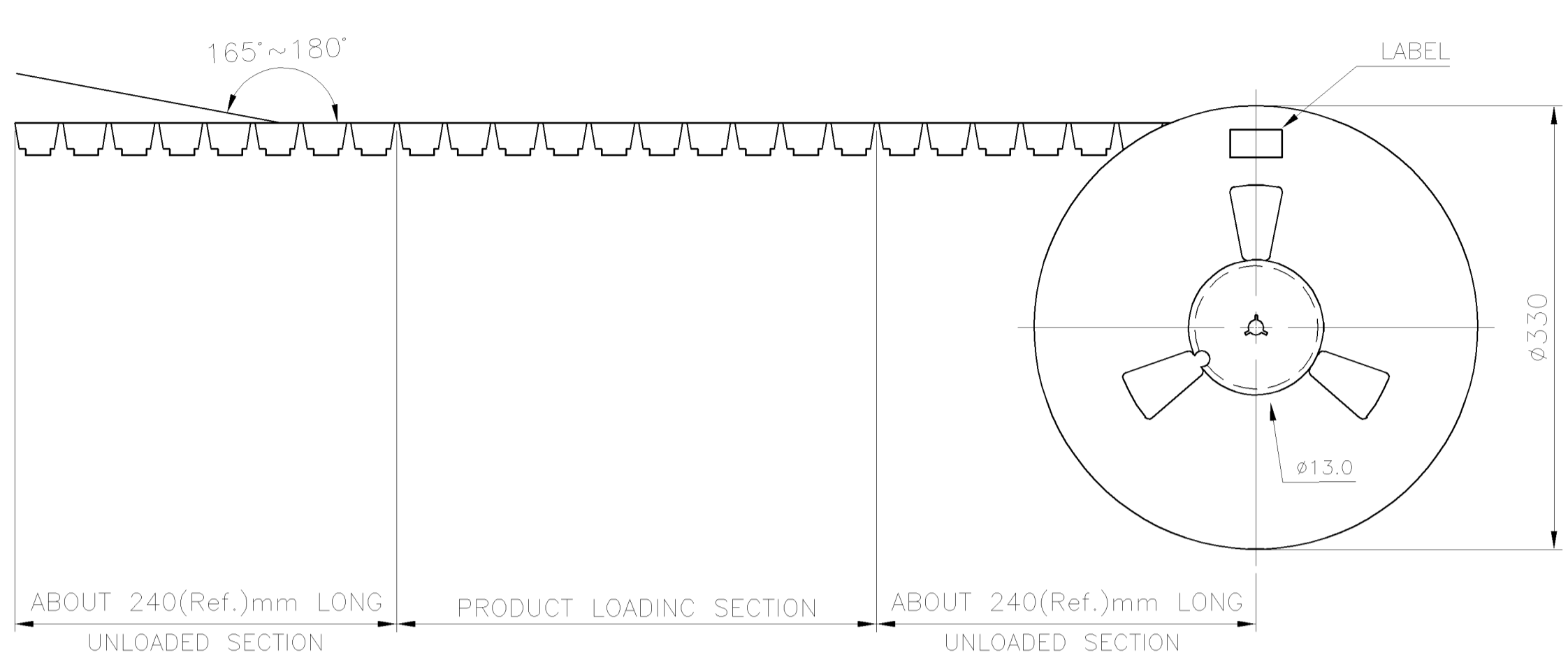


13 Kg	12 Kg	2640	80	5-1734324-X
				6-1734324-X
14.5 Kg	13.5 Kg	2970	90	4-1734324-X
				2-1734324-X
				1-1734324-X
				1734324-X
GROSS WEIGHT	NET WEIGHT	PCS/CARTON	PCS/TRAY	PART NUMBER

THIS DRAWING IS A CONTROLLED DOCUMENT.		DWN A. WU	04MAR2008	Tyco Electronics Corporation Taipei, Taiwan	
DIMENSIONS: MM		CHK S. HOU	04MAR2008	NAME	
TOLERANCES UNLESS OTHERWISE SPECIFIED:		APVD W. KODAMA	04MAR2008	MODULAR JACK, RJ45, 8P8C, WITH LED & SHIELD, DIP, REVERSE VERSION	
0 PLC ± -		PRODUCT SPEC		SIZE	
1 PLC ± -		APPLICATION SPEC		CAGE CODE	
2 PLC ± -		WEIGHT		DRAWING NO	
3 PLC ± -		CUSTOMER DRAWING		RESTRICTED TO	
4 PLC ± -		SCALE		SHEET	
ANGLES ± -		6 OF 7		REV	
FINISH		A300779		C=1734324	
MATERIAL		SCALE -		REV A	

THIS DRAWING IS UNPUBLISHED. RELEASED FOR PUBLICATION
 © COPYRIGHT - ALL RIGHTS RESERVED.

LOC	DIST	REVISIONS					
DW	-	P	LTR	DESCRIPTION	DATE	DWN	APVD
				SEE SHEET 1.			



8.5 Kg	6.5 Kg	180	8	1440 PCS
GROSS WEIGHT	NET WEIGHT	PCS/REEL	REELS/BOX	QUANTITY

THIS DRAWING IS A CONTROLLED DOCUMENT.		DWN A. WU	04MAR2008	Tyco Electronics Corporation Taipei, Taiwan	
DIMENSIONS: MM		CHK S. HOU	04MAR2008		
TOLERANCES UNLESS OTHERWISE SPECIFIED:		APVD W. KODAMA	04MAR2008	NAME MODULAR JACK, RJ45, 8P8C, WITH LED & SHIELD, DIP, REVERSE VERSION	
0 PLC ± - 1 PLC ± - 2 PLC ± - 3 PLC ± - 4 PLC ± - ANGLES ± -		PRODUCT SPEC -		SIZE A3	
MATERIAL		APPLICATION SPEC -		CAGE CODE 00779	DRAWING NO G-1734324
FINISH		WEIGHT -		RESTRICTED TO -	
CUSTOMER DRAWING				SCALE -	SHEET 7 OF 7
				REV A	